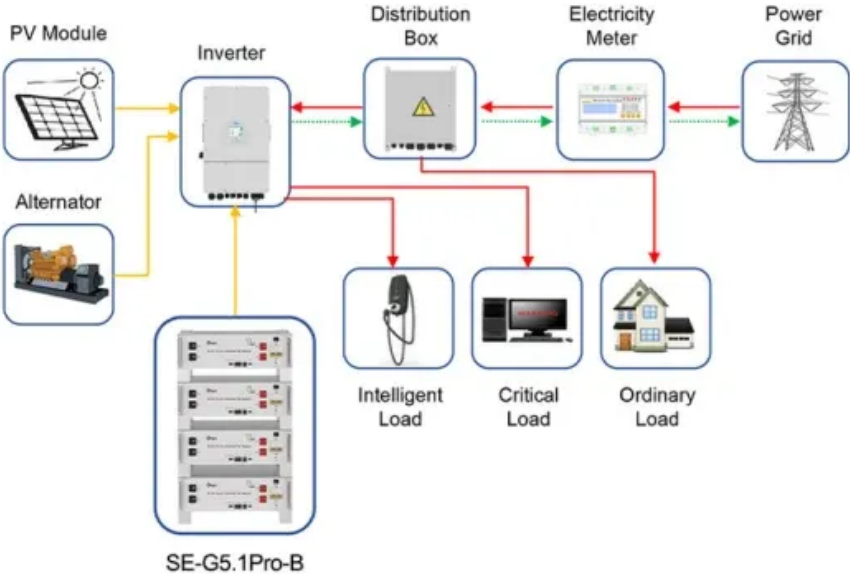


# Standards for household solar energy storage cabinet systems



Application scenarios of energy storage battery products



## Standards for household solar energy storage cabinet systems

---



### [Photovoltaic Energy Storage Standards: What You Need to Know in](#)

Whether you're planning a home system or designing utility-scale storage, remember: photovoltaic energy storage standards aren't red tape - they're your cheat sheet for success.

### [Solar energy storage cabinet requirements and standards](#)

Sep 12, 2024 ? By adhering to strict safety standards, energy storage cabinet manufacturers can ensure long-term functionality, reliability, and protection for users and their systems.



### [Welcome to Academic Standards . Arizona Department of Education](#)

Learning begins at birth and continues throughout every stage of life. The Academic Standards team oversees the standards for learning for children and students in Arizona from birth to high school

## Codes and Standards

The safe and reliable installation of photovoltaic (PV) solar energy systems and their integration with the nation's electric grid requires timely development of the foundational codes and standards governing





## **SOLAR AND ENERGY STORAGE SYSTEM**

I Energy storage systems installed with simple solar systems meeting SolSmart criteria that are less than 15kW consisting of no more than 2 series strings per inverter and no more than 4 source circuits in

### [Solar PV, Solar Ready, Battery Energy Storage System \(BESS\)](#)

The Building Energy Efficiency Standards (Energy Code) include requirements for solar photovoltaic (PV) systems, solar-ready design, battery energy storage systems (BESS), and BESS-ready

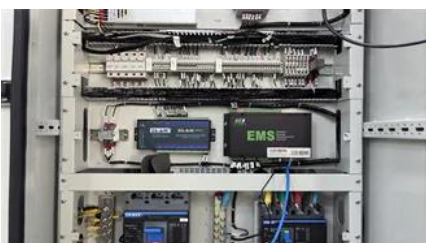


### [Home Energy Storage Safety Standards: What You Must Know](#)

Learn the essential safety standards for home energy storage systems. Avoid fire, overload, and installation risks with trusted certifications and expert tips.

### [Energy Storage Systems \(ESS\) and Solar Safety](#)

NFPA is keeping pace with the surge in energy storage and solar technology by undertaking initiatives including training, standards development, and research so that various stakeholders can safely



## **Energy Storage Systems: 2023 NFPA Code**

As of 2020, National Fire Prevention Association (NFPA) 855 code requires very strict rules on

installation locations of energy storage systems (ESS). This article outlines the rules for single-family

### [Research Guides: Standards: What is a Standard?](#)

Learn about the impact of standards on many aspects of life. From the American National Standards Institute.



### **Standards, Codes, & Specifications**

"A standard is a document that provides requirements, specifications, guidelines or characteristics that can be used consistently to ensure that materials, products, processes and

### [Residential Energy Storage System Permit Application Guidelines](#)

One or more components assembled together capable of storing energy for use at a future time. ESS(s) can include but is not limited to batteries, capacitors, and kinetic energy devices (e.g., flywheels and



### **About Standards**

What is a standard? A standard is a document that provides requirements, specifications, guidelines or characteristics that can be used consistently to ensure that materials, products,

### [City of Chandler Engineering Design Standards Manual](#)

The Engineering & Design Standards Manual provides the technical design requirements and guidelines for Design Professionals preparing plans for private development or capital improvement projects.



## American National Standards Institute

Review the latest domestic and international standards proposals, documents for public comment, new initiatives, and other opportunities for U.S. stakeholders to get involved.

## [New Residential Energy Storage Code Requirements](#)

Find out about options for residential energy storage system siting, size limits, fire detection options, and vehicle impact protections.



## NFPA Codes and Standards

NFPA publishes 300+ codes and standards that are informed by rapidly changing industry needs and ever-evolving technologies.

## [National Standard for Household Energy Storage: What You Need to](#)

As solar panels and wind turbines become as common as BBQ grills in suburban homes, the national standard for household energy storage has emerged as the unsung hero of renewable



## Standards.gov , NIST



The USSS guides how the U.S. develops standards and participates in international standardization. This strategy was first developed in 2000 and is updated every five years.

## Standards 101 , ASQ

ISO standards add value to all types of businesses and business operations. They contribute to making the development, manufacturing, and supply of products and services more efficient, safer, and cleaner.



## Contact Us

---

For off-grid system quotes, technical support, or partnerships, please visit:  
<https://kephamatraining.co.za>