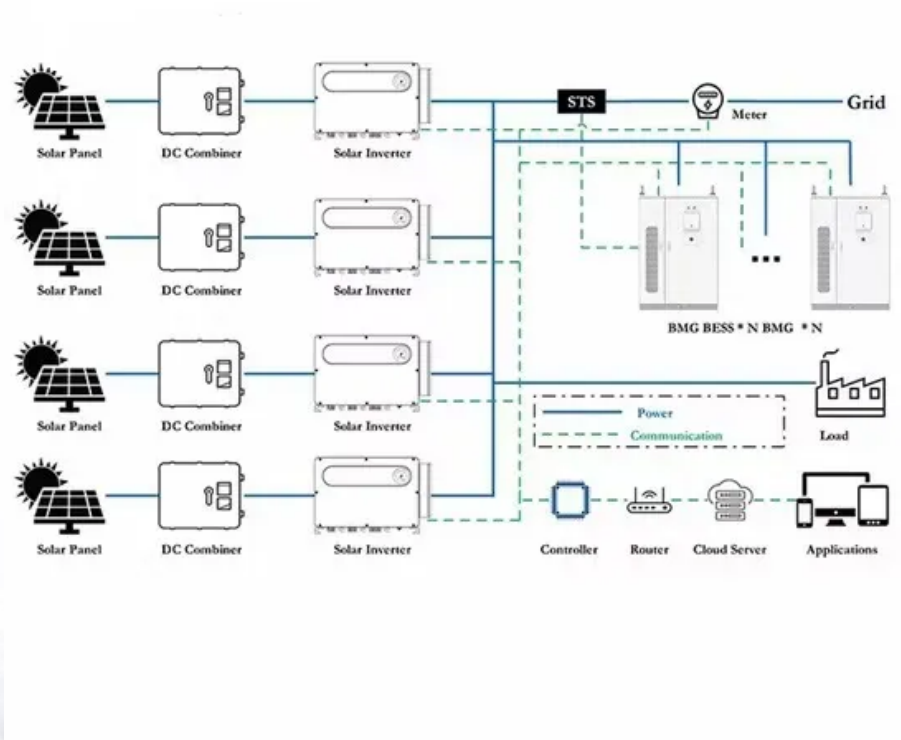


Lightning protection grounding of wireless communication base station battery energy storage system



Overview

112 provides a set of practical procedures related to the lightning protection, earthing and bonding of radio base stations (RBSs).

Lightning protection grounding of wireless communication base sta



Lowering Options

Hello all, I need some guidance. I come from a world of coilovers when it comes to lowering a vehicle. I have a 2004 Lightning (from my understanding the highest sitting rear of the

Microsoft campus

The Microsoft campus is the corporate headquarters of Microsoft Corporation, located in Redmond, Washington, United States, a part of the Seattle metropolitan area. Microsoft initially moved onto the



My Account

Access and manage your Microsoft account, subscriptions, and settings all in one place.

Office 365 login

Collaborate for free with online versions of Microsoft Word, PowerPoint, Excel, and OneNote. Save documents, spreadsheets, and presentations online, in OneDrive.



[Download Drivers & Updates for Microsoft, Windows and more](#)

The official Microsoft Download Center. Featuring the latest software updates and drivers for Windows, Office, Xbox and more. Operating

systems include Windows, Mac, Linux, iOS, and Android.

[Microsoft - AI, Cloud, Productivity, Computing, Gaming & Apps](#)

Explore Microsoft products and services and support for your home or business. Shop Microsoft 365, Copilot, Teams, Xbox, Windows, Azure, Surface and more.



Lightning swap , Lightning Rodder

Lightning swap lightning conversion lightning swap Jump to Latest 3.3K views 20 replies 10 participants last post by Dusten Apr 20, 2024 S

[Development of Enhanced Lightning Protection System for a Wireless](#)

In this paper, the performance of this enhanced lightning protection system is examined using the finite-difference time-domain (FDTD) method, and its effectiveness is shown. (C) 2020



Contact Us

Contact Microsoft Support. Find solutions to common problems, or get help from a support agent.

Lightning Rodder

Join our Lightning Rodder community to discuss the supercharged Ford F150 SVT and Harley Davidson edition pickup.





[How to Safeguard Mobile Base Stations from Lightning?](#)

In this article, we break down the key requirements of the industry standard YD5068-98 - Code for Design of Lightning Protection and Grounding of Mobile Communication Base Stations, and explain

Gen 2 Lightnings , Lightning Rodder

Discussion of the "Second Generation" SVT Lightning (1999-04)



[Microsoft account , Sign In or Create Your Account Today - Microsoft](#)

Get access to free online versions of Outlook, Word, Excel, and PowerPoint.

Gen 2 Lightning , Lightning Rodder

Hello LR bros, wondering if any of the longtime owners are thinking about getting rid of their Gen 2? I have been looking for about a year on facebook marketplace and nothing comes up



[HOW TO: Lightning swap on a N/A F150 , Lightning Rodder](#)

You will need a lightning engine harness. It will make your life a lot easier. I know if you keep the factory n/a ecu you can only read iat1, you can swap the wires so the ecu iat1 will be iat2. I

Our Mission and Values , About Microsoft

Our mission is to empower every person and every organization on the planet to achieve more. Learn more about Microsoft, our commitments, and values.



[Lightning and surge protection for battery storage , DEHN](#)

We develop and implement customised protection concepts to protect electrical battery storage systems from lightning and surge damage.

[Lightning and Surge Protection for Communication Station](#)

Install lightning rods, grounding, surge protectors, shielding, and follow standards for effective communication station protection.



LIGHTNING PROTECTION SOLUTION FOR BASE

This is especially essential in areas with frequent thunders, and a proper grounding system can more rapidly discharge lightning current, reduce

RESISTOR FUEL PUMP , Lightning Rodder

Find many great new & used options and get the best deals for OEM NEW 99-04 Ford Lightning Fuel Pump Dropping Intercooler Pump Motor Resistor at the best online prices at eBay!





[Advanced Lightning Protection for BESS, Scientific](#)

Discover how advanced lightning protection strategies enhance the operational resilience of BESS, ensuring reliable and continuous energy storage.

[research on lightning protection and grounding safety evaluation of](#)

Building 5g base station on power tower is an effective way to realize resource integration and save national resources. However, the voltage level and install



Microsoft Support

Microsoft Support is here to help you with Microsoft products. Find how-to articles, videos, and training for Microsoft Copilot, Microsoft 365, Windows 11, Surface, and more.

Lightning vs. Harley F150

Looking at some Lightning specs I have, 12.1" fronts. Do you know the HD's size, and what does it take to upgrade to L's (Im guessing Expedition frts?). LAP Proud owner of a family of



Sign in to your account

Sign in to manage your Microsoft account and access free online services like Outlook, Word, Excel, and PowerPoint securely from any device.

[Ford Lightning ECU PCM ECM engine computer interchange chart](#)

For those who were wondering what the differences are between 99-04 Lightning engine computers here you go. I made a spreadsheet showing the pin numbers, wire colors, & what the wire



[ITU-T Rec. K.112 \(07/2019\) Lightning protection, earthing and](#)

The purpose of this Recommendation is to give detailed guidance on protection procedures, so that an engineer who is not a lightning protection expert can accomplish the design of the lightning

[Proper Grounding is Critical for Battery Energy Storage](#)

System 3000's design significantly lowers maintenance needs, making it a highly efficient and reliable lightning protection solution. With the rise



Gen 2 Parts

Generation 2 Lightning parts for sale

[How Are Base Stations Protected Against Lightning?](#)

In base station lightning protection design, the grounding grid and ground busbars are key components. With proper design, they can effectively reduce the impact of lightning on the station.



Contact Us

For off-grid system quotes, technical support, or partnerships, please visit:
<https://kephamatraining.co.za>