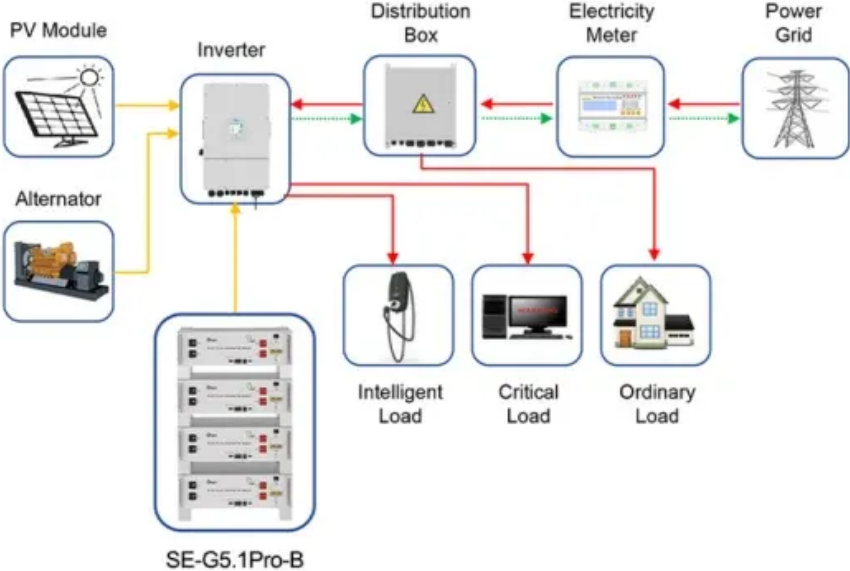


Is light permeable underneath photovoltaic panels Is it toxic



Application scenarios of energy storage battery products



Overview

Although UV light is absorbed, its conversion into electricity is not always efficient and can be detrimental to the panel's longevity.

Is light permeable underneath photovoltaic panels Is it toxic



LIGHT Definition & Meaning

The meaning of LIGHT is something that makes vision possible. How to use light in a sentence. Synonym Discussion of Light.

How Light Works

But what exactly is light? We catch glimpses of its nature when a sunbeam angles through a dust-filled room, when a rainbow appears after a storm or when a drinking straw in a glass of water looks



[Modern Lighting for Every Room , Shop Home Lighting](#)

Our collections contain a stunning range of outdoor and indoor lights made with quality materials and impeccable designs. Browse and find all kinds of lights for every room or space you need.

[Browse Articles , Light: Science & Applications](#)

A red multiple-resonance molecule with fast reverse intersystem crossing functions as both emitter and sensitizer, enabling efficient Organic Light-Emitting Diodes with suppressed efficiency



[Understanding Solar Panel Spectral Absorbance](#)



[Light in Physics: Properties, Laws & Applications Explained](#)

Light can be described as electromagnetic radiation that is visible to the human eye. Throughout history, scientists and philosophers have sought to understand the properties, behavior, and nature of light,

This detailed article will delve into the intricacies of solar panel spectral absorbance, wavelengths, and the various factors that can impact their



[Thin-Film Solar Panels: CdTe vs CIGS vs Amorphous Silicon Compared](#)

Complete guide to thin-film solar panels: CdTe vs CIGS vs amorphous silicon technologies, how they compare with crystalline silicon, why thin-film lost the mainstream market, and where each

[What Is Underneath a Solar Photovoltaic Panel? A Deep Dive into](#)

Ever wondered what's hidden beneath the sleek surface of a solar photovoltaic panel? Whether you're a homeowner considering solar energy or a professional in renewable energy systems, understanding



[What Wavelengths of Light Do Solar Panels Absorb?](#)

Understanding how solar panels interact with different forms of light is central to comprehending their operation and efficiency. This involves the properties of light and the

materials

[Light , Definition, Properties, Physics, Characteristics, Types](#)

Light is electromagnetic radiation that can be detected by the human eye. Electromagnetic radiation occurs over an extremely wide range of wavelengths, from gamma rays with wavelengths



[Transparent Solar Panels: Future of Energy-Generating Glass](#)

Executive Summary Transparent solar glass is a next-generation photovoltaic technology that integrates solar energy generation into transparent surfaces like windows. Unlike conventional solar panels, it

[This Breakthrough Solar Panel Generates Power From Both Sunlight](#)

A novel thin-film technology enables solar panels to generate electricity from both sunlight and raindrops.



What is Light?

Light is a part of our everyday experience and we cannot live without it, but what exactly is light and how does it work? In this video, we'll discover what light is and see what forms it takes as

What Is Light? Is It Energy Or Matter?

Light is both a particle and a wave. Light has properties of both a particle and an electromagnetic wave but not all the properties of either. It consists of photons that travel in a wave



Transparency And Translucency

Have you ever pondered the role of translucency in these materials? Translucency is the quality of allowing light to pass through diffusely. Unlike transparent

Contact Us

For off-grid system quotes, technical support, or partnerships, please visit:
<https://kephamatraining.co.za>