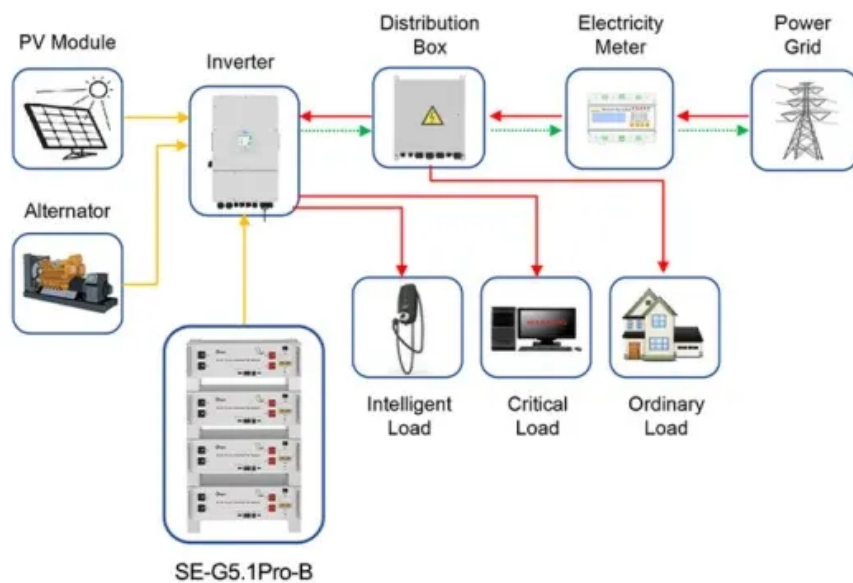


Is it illegal to install photovoltaic panels at home



Application scenarios of energy storage battery products



Is it illegal to install photovoltaic panels at home



illegal

According to Black's Law Dictionary (2nd edition), "illegal" may mean only that something lacks authority of the law or support from law (that is, that it's not legal), not that it's against the law,

ILLEGAL , English meaning

ILLEGAL definition: 1. not allowed by law: 2. not allowed by the rules of a sport: 3. an offensive word for someone. Learn more.



[Illegal Definition & Meaning , YourDictionary](#)

Illegal definition: Prohibited by law.

Illegal

1. Prohibited by law. 2. Prohibited by official rules: an illegal pass in football. 3. Unacceptable to or not performable by a computer: an illegal operation.



[Can Solar Panels Be Illegal? Exposing What You](#)

Solar panels can be illegal due to various regulations and legal challenges. Local ordinances, building codes, and homeowners' association

[Can You Legally Install Your Own Solar Panels? It Depends](#)

DIY solar installation is legal in most areas, provided you meet building codes, get permits, and pass inspections for electrical and structural safety.



[Do You Need a License to Install Solar Panels? Complete 2025 Guide](#)

Installing solar panels without permits can result in serious consequences including fines from local authorities, forced system removal, insurance claim denials, and complications when

illegal

Illegal, unlawful, illegitimate, illicit, criminal can all describe actions not in accord with law. Illegal refers most specifically to violations of statutes or, in organized athletics, codified rules: an illegal seizure of



[DIY Solar Panel Installation: What Homeowners Can \(and Can't\)](#)

Installing your own solar panels can be legal and cost-effective, but navigating the regulations requires careful planning. Most states allow homeowners to install solar panels

[illegal, adj. & n. meanings, etymology and more , Oxford English](#)

illegal, adj. & n. meanings, etymology, pronunciation and more in the Oxford English

Dictionary



ILLEGAL Definition & Meaning , Dictionary

ILLEGAL definition: forbidden by law or statute. See examples of illegal used in a sentence.

Myth vs Reality: Do Plug-and-Play Solar Kits Need

The reality is that most home-connected solar kits require some form of permission. This process ensures the safety of your home, the stability of the



States That Outlaw or Restrict Solar Panels

Paradoxically, the states most likely to do this are some that would greatly benefit from solar power, like Oklahoma, Kansas, and Nebraska. This

ILLEGAL definition in American English , Collins English Dictionary

If something is illegal, the law says that it is not allowed. It is illegal to intercept radio messages. illegal drugs.



Illegal



Something illegal is against the law or breaks the rules. If you're reading this in jail, you've probably done something illegal, and if you're not in jail, there's plenty of time to obey the law.

[Is It Legal to Install Solar Panels Yourself?](#)

Installing your own solar panels is legal throughout the United States, but "legal" and "simple" are not the same thing. Most jurisdictions require permits, inspections, and compliance with



[Solar Access Laws by State: Can Your HOA Stop Your](#)

Luckily, many states have passed solar access laws that bar HOAs from banning solar panels. Here's where those laws exist. What are solar

[Navigating Solar Panel Laws: What Homeowners Need](#)

Solar panel laws are rules that tell homeowners what they can and can't do when installing solar panels on their homes. These laws can vary by state and



[Is it legal to install your own solar panels?](#)

It is generally legal across the US to install your own solar energy equipment, though state and local regulations can impose strict limits on how and where you do so. Most places in the country require

ILLEGAL Definition & Meaning

The meaning of ILLEGAL is not according to or authorized by law : contrary to or in violation of a law : unlawful, illicit; also : not sanctioned by official rules (as of a game).



Contact Us

For off-grid system quotes, technical support, or partnerships, please visit:
<https://kephamatraining.co.za>