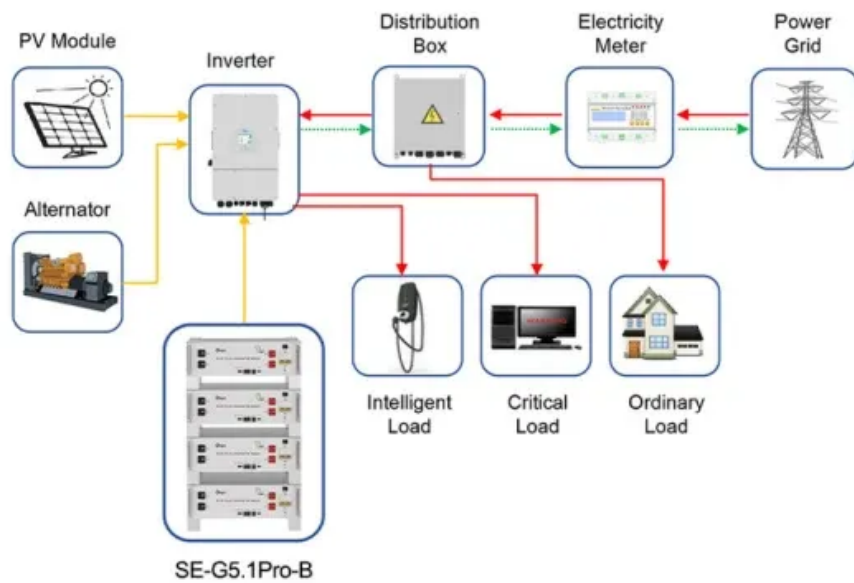


# Fixed Financing for Outdoor Photovoltaic Cabinets for Highways



Application scenarios of energy storage battery products

## Overview

---

Buying, leasing and Power Purchasing Agreements (PPA) are the most popular financing options.

## Fixed Financing for Outdoor Photovoltaic Cabinets for Highways

---



### Appraising properties with solar panels

The ownership and debt financing structures commonly found with solar panels are key to determining whether the panels are third-party owned, personal property of the homeowner, or a fixture to the

### [Fixed Definition & Meaning , YourDictionary](#)

Fixed definition: Firmly in position; stationary.



### Financing options for solar

View the estimated system details and costs associated with different financing options that are displayed. Note the recommended photovoltaic (PV) solar system size, which refers to the number of

### [FIXED , definition in the Cambridge English Dictionary](#)

FIXED meaning: 1. arranged or decided already and not able to be changed: 2. A fixed idea is one that someone is. Learn more.



### [Fixed Definition & Meaning , Britannica Dictionary](#)

They were well fixed for food. [=they had a good



### [Solar Financing Options: Complete 2025 Guide To Loans & Leases](#)

This comprehensive guide explores every major financing option available in 2025, helping you navigate the complex world of solar financing while avoiding common pitfalls.



### [Solar loans: Everything you need to know in 2026](#)

Solar loans are similar to home improvement loans for projects like remodeling your kitchen, upgrading an HVAC system, or adding a new bathroom. When you borrow money from a



### **Understanding Third-Party**

supply of food] How are you fixed for money? [=do you have enough money?] He's fixed for life. [=he has enough money to live comfortably for the rest of



### **FIXED Definition & Meaning , Dictionary**

FIXED definition: fastened, attached, or placed so as to be firm and not readily movable; firmly implanted; stationary; rigid. See examples of fixed used in a sentence.



### **FIXED Definition & Meaning**

The meaning of FIXED is securely placed or fastened : stationary. How to use fixed in a sentence.

## Ownership Financing Structures for Renewable

Third-party financing is a well-established financing solution in the United States, having emerged in the solar industry as one of the most popular methods of solar financing. Third-party



## What does Fixed mean?

Fixed refers to something that is securely placed or attached, and not subject to change, fluctuation or alteration; constant or stationary.

## Home Improvement & Solar Financing

Our payment-friendly financing and industry-leading technology help contractors grow their solar and home improvement businesses and make homeowners' dreams come true. We partner with



## Commercial Solar Financing

SunRenu is now offering commercial customers a very attractive solar loan! Non-recourse solar loan up to 20 years, starting at 4% - 5% interest, fully amortized and with no prepayment penalty. This loan

## Top 6 Solar Financing Companies

According to feedback from installers, Mosaic, Dividend, and Goodleap are among some of the top solar financing companies.





### [FIXED definition in American English, Collins English Dictionary](#)

You use fixed to describe something which stays the same and does not or cannot vary. They issue a fixed number of shares that trade publicly. Many restaurants offer fixed-price menus.

## **Solar PV Systems Loans**

Our loans include competitive, fixed rates for up to 20 years, safeguarding your investment against market changes. Crucially, we offer no prepayment penalties, allowing you to use tax credits or



## **Contact Us**

---

For off-grid system quotes, technical support, or partnerships, please visit:  
<https://kephamatraining.co.za>