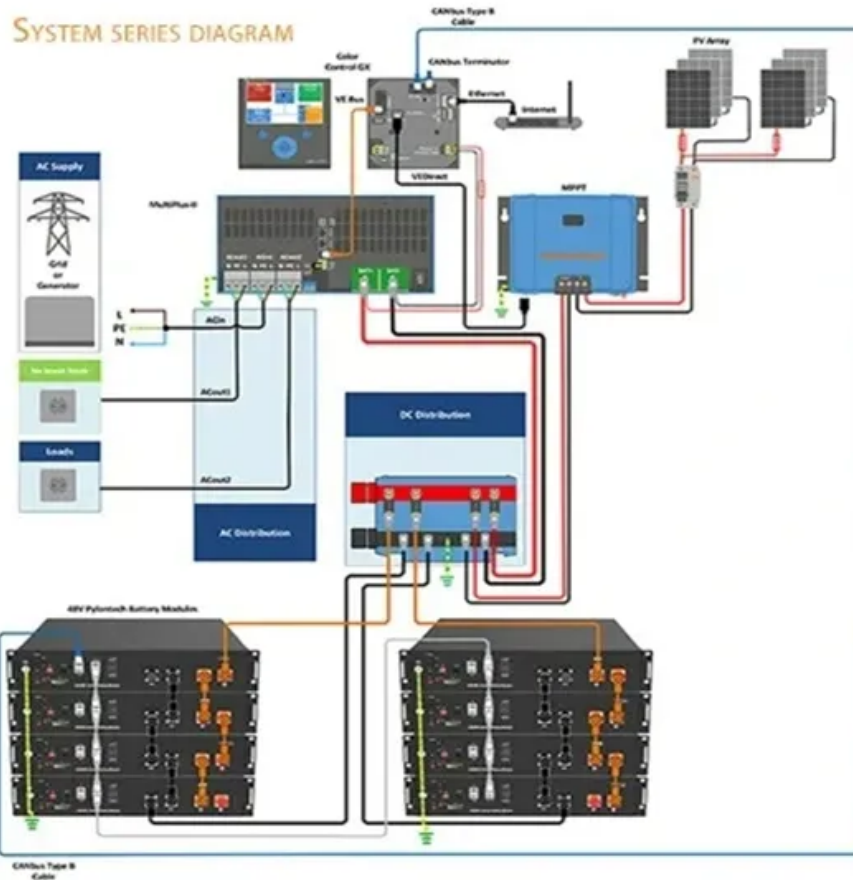


Doha Photovoltaic Energy Storage Unit 350kW



Doha Photovoltaic Energy Storage Unit 350kW



[Doha solar thermal energy storage production enterprise](#)

Doha energy storage system production. This study presents an analysis of the current electricity supply grid in Qatar and investigates the potential of integrating various renewable energy

[Doha Photovoltaic Container Workshop: Modular Solar Solutions for](#)

Discover how photovoltaic container workshops are transforming solar energy deployment in Qatar. This guide explores innovative designs, cost benefits, and real-world applications of modular PV solutions



[Economic viability of rooftop photovoltaic systems and energy](#)

The results from the present study can serve as a contribution to future research activities, including the design of PV rooftop and energy storage systems and demand/response programs.

[DOHA NEW ENERGY STORAGE MANUFACTURER , Solar Power](#)

The solar energy plant and the megawatt-hour battery storage facility will be built on 100 acres of crown land located in the Royal Basseterre Valley National Park utilizing a lease agreement.





[DOHA NEW ENERGY PHOTOVOLTAIC ENERGY STORAGE](#)

Installing solar energy at your home is an investment in a cleaner, plentiful energy supply, and accessing rebates and tax incentives make installation more affordable.

Doha industrial energy storage project

Doha environmentally friendly energy storage power supply This project is the first of its kind in Qatar to integrate 500 kiloWatt-hours (kWh) of energy storage with the electricity grid, solar



[DOHA PHOTOVOLTAIC ENERGY STORAGE BATTERY PROJECT](#)

The project, considered the world's largest solar-storage project, will install 3.5GW of solar photovoltaic capacity and a 4.5GWh battery storage system. The project has commenced in November 2024.

[Economic Viability of Rooftop Photovoltaic Systems and Energy Storage](#)

Qatar is no exception, as it has ambitious plans to deploy renewable energy sources on a mass scale. Qatar may also investigate initiating and permitting the deployment of rooftop photovoltaic



[Economic Viability of Rooftop Photovoltaic Systems and Energy](#)



Energy storage requirements and payback periods were calculated to evaluate the economic viability of solar energy storage in Qatar.

DOHA ENERGY STORAGE STATION CONTAINER

What is a mobile solar PV container? High-efficiency Mobile Solar PV Container with foldable solar panels, advanced lithium battery storage (100-500kWh) and smart energy management.



Contact Us

For off-grid system quotes, technical support, or partnerships, please visit:
<https://kephamatraining.co.za>